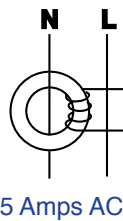
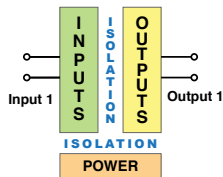




Leopard TL-ACA-RMS Transmitter / Controller

- ▶ Compact, 22.5mm, DIN Rail Mount Transmitter
- ▶ 5 Amps AC Scaled or True RMS to 4-20mA Transmitter
- ▶ Two optional 6A FormC Relays
- ▶ Triple Isolated: Power to Inputs
Power to Outputs
Inputs to Outputs



- Active OUTPUT
- 4-20mA 4-20mA
- + Isolated 0-10V

SP1 Optional Relay

6A Form C Relays

SP2 Optional Relay



POWER SUPPLY

PS2 15 to 48 VAC 3.5W
50-400 Hz
Fuse Not Replaceable
10 to 72 VDC 3.5W

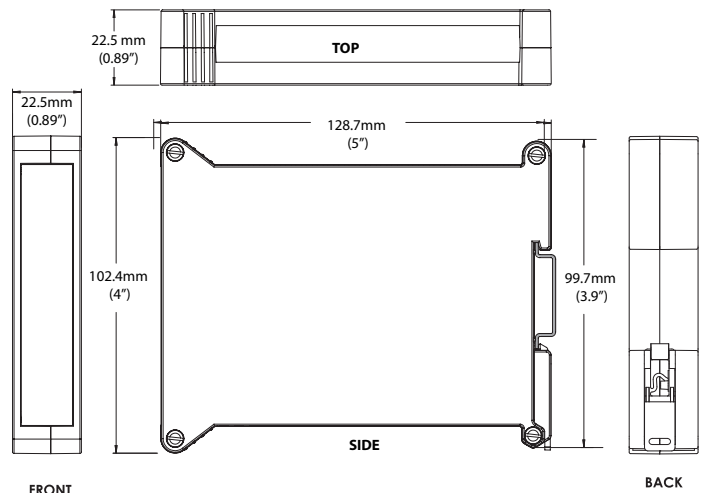
PS2

PS1 85 to 265 VAC 3.5W
50-400 Hz
95 to 300 VDC 3.5W

PS1

Optional Remote Display Programmer
Needed for Programming Relays

CASE DIMENSIONS



TL-ACA-RMS . AC-Amps Scaled RMS.....\$199
..... AC-Amps True RMS.....\$219

▶ **POWER SUPPLY**

PS1 85-265VAC/95-300VDC\$0
PS2 15-48VAC/10-72VDC\$35

▶ **RELAY OUTPUT**

R11..... Single 6A Form C Relay\$40
R12..... Dual 6A Form C Relays\$75

Short Depth 96x48 Remote Display/Programmer Kit
OP-TL/RDISP. . Remote Display/Programmer
w/Cable and Belt clip Carrying Case\$75



• For ordering info call: 1-800-TEXMATE or 760 598-9899
• Email: orders@texmate.com • Fax: (760) 598-9828
• For tech assistance call: (760) 598-9899
450 State Place, Escondido, CA 92029